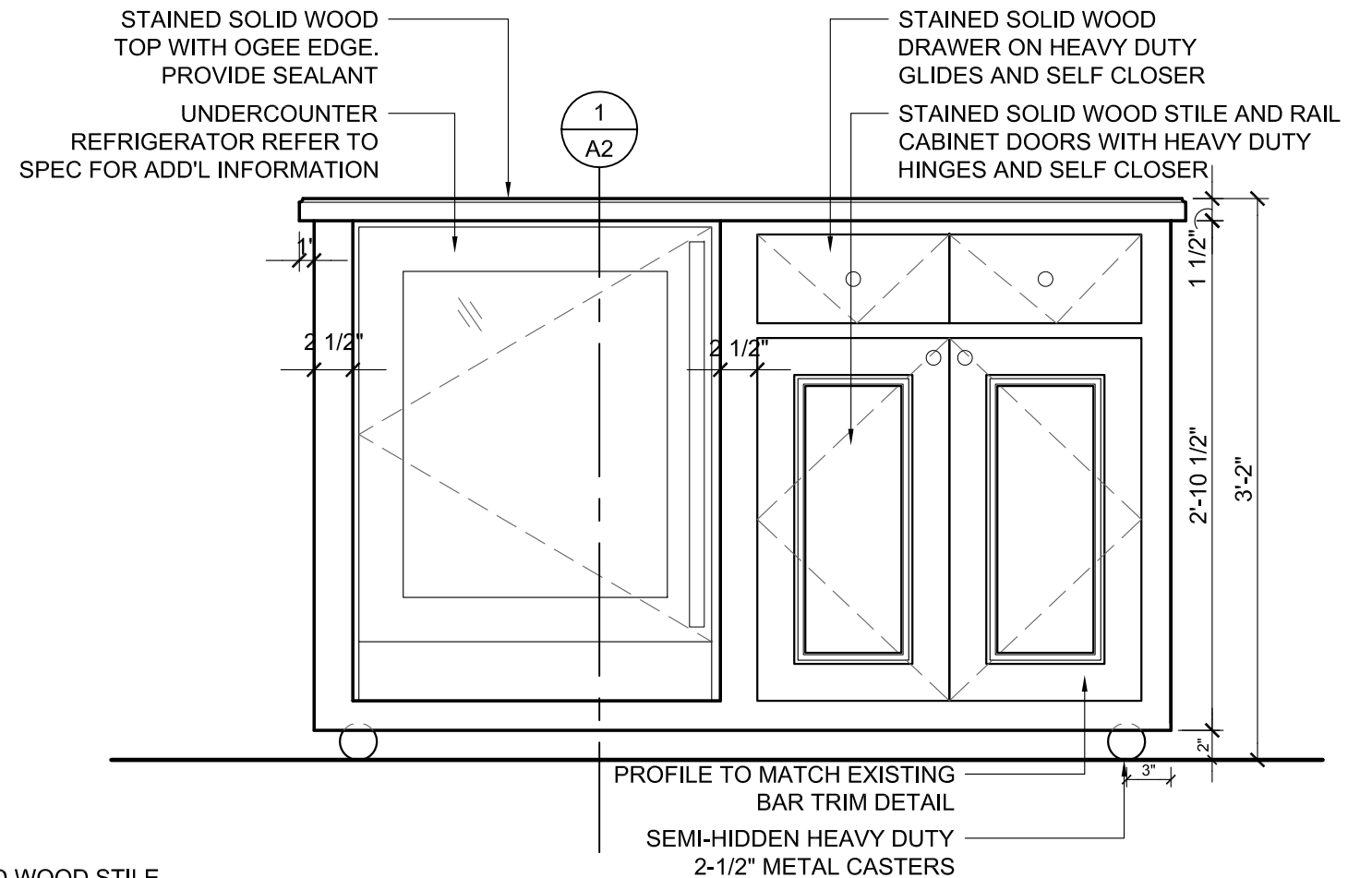
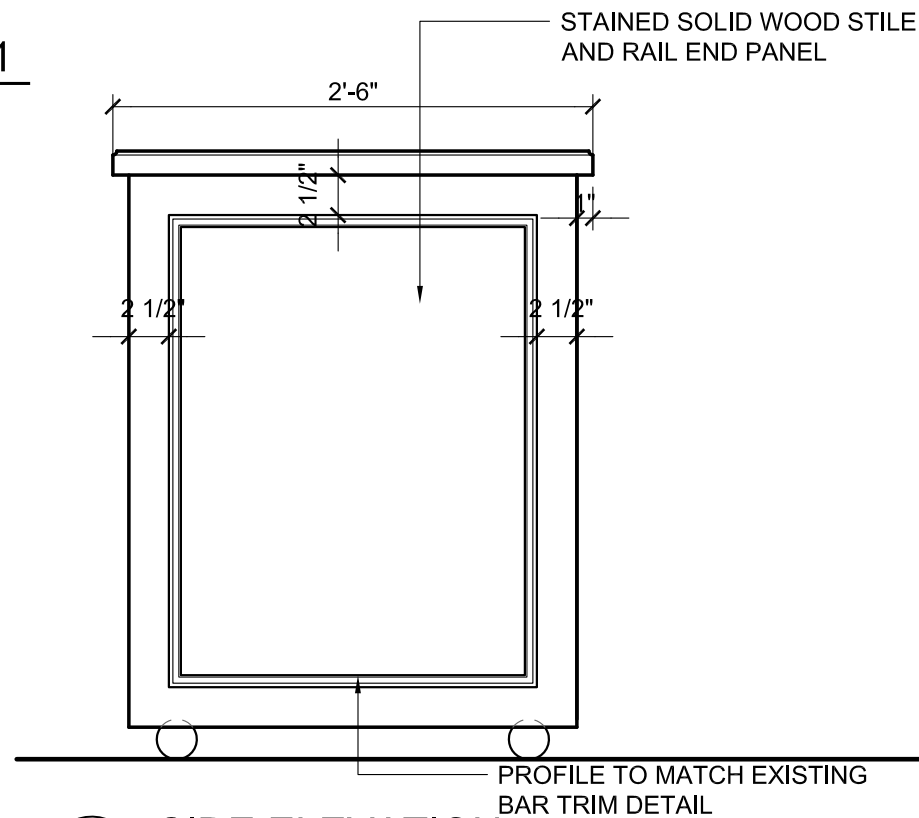


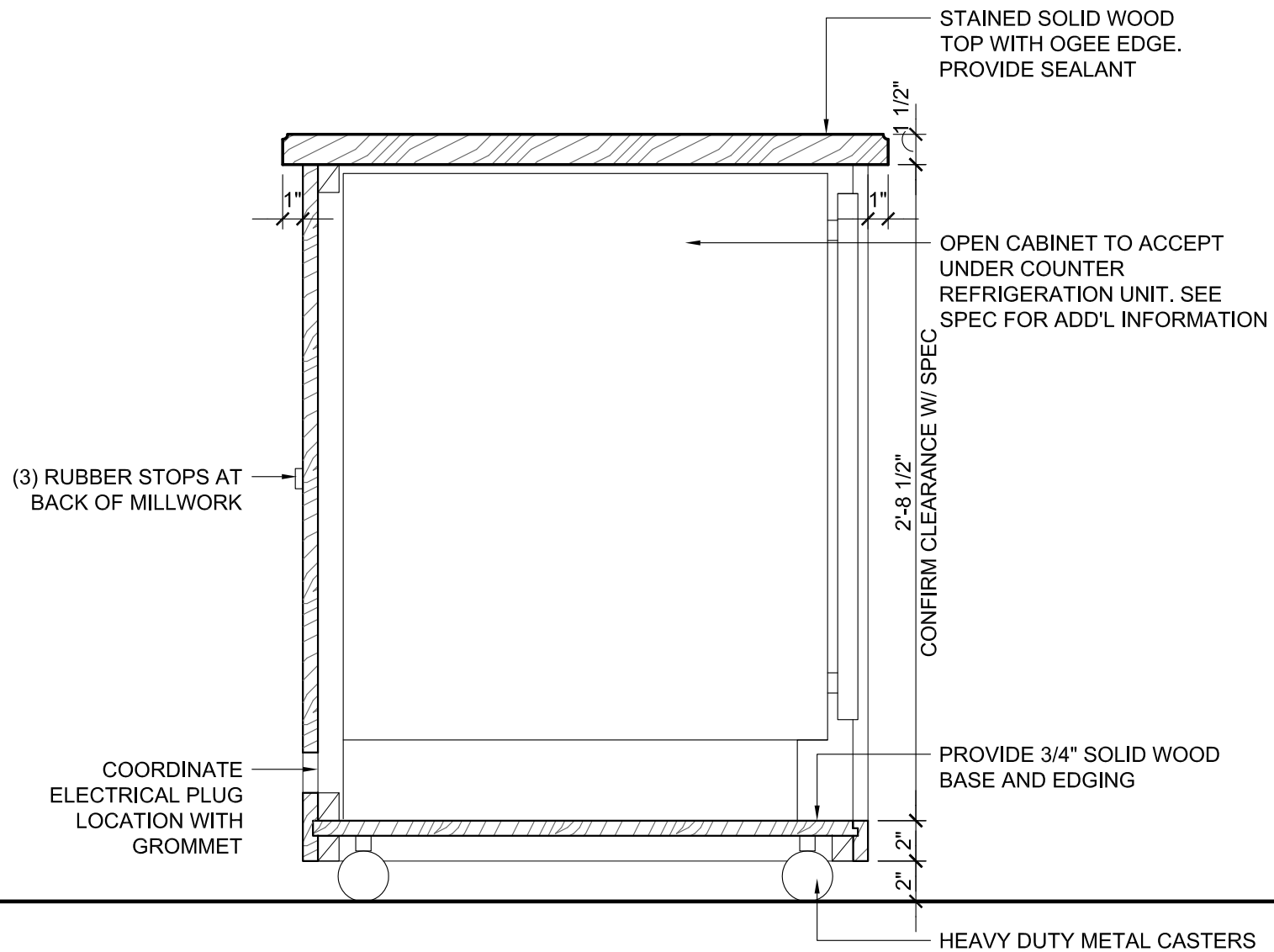
2 FRONT ELEVATION @ CABINET 1
1" = 1'-0"



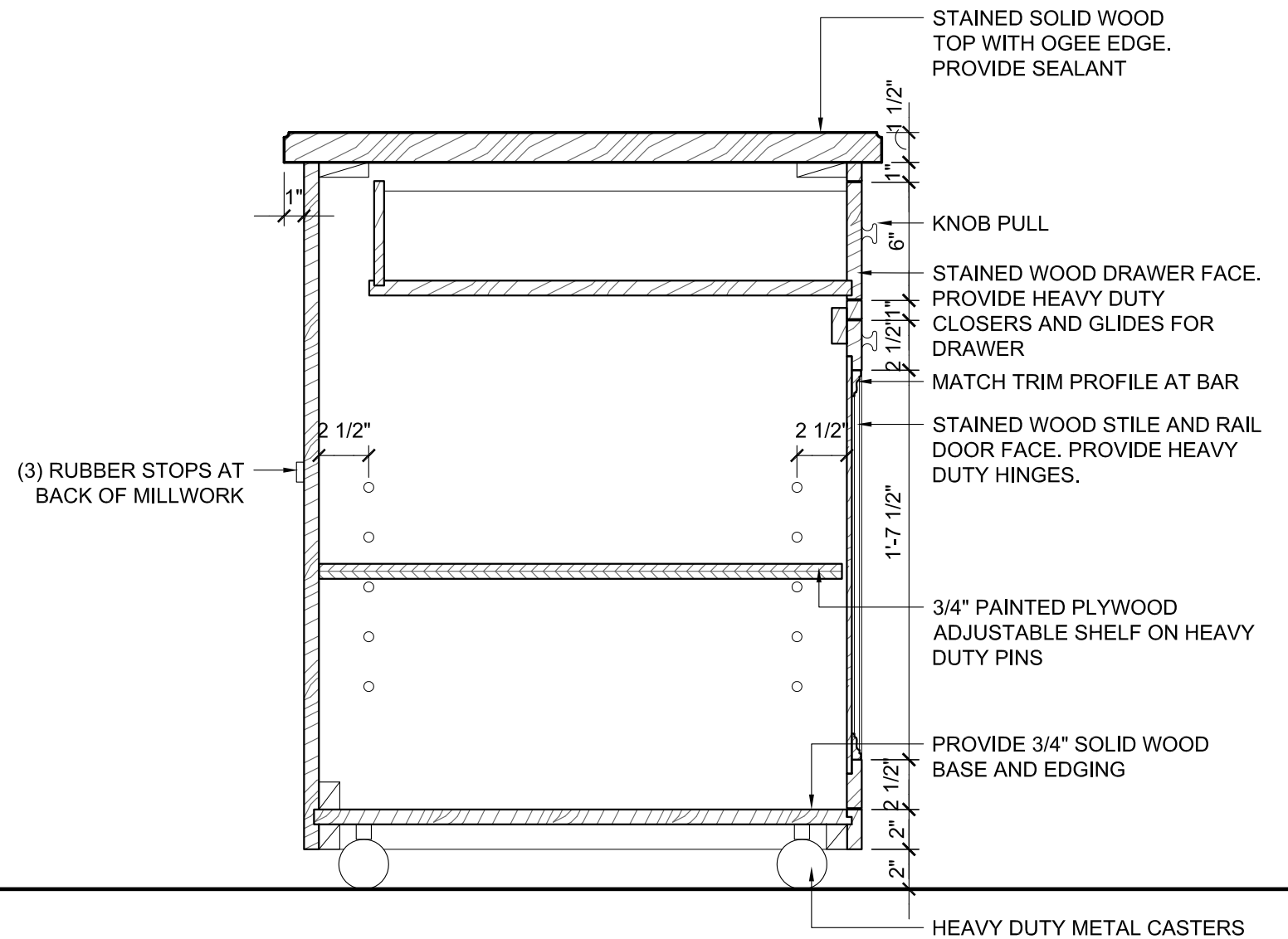
1 FRONT ELEVATION @ REFRIG CABINET 2
1" = 1'-0"



3 SIDE ELEVATION
1" = 1'-0"



1 SECTION
1-1/2" = 1'-0"



2 SECTION
1-1/2" = 1'-0"

24" ADA-COMPLIANT SERIES BEVERAGE CENTER

HA24BB-3 24" INDOOR MODEL



Glass Door Model



Solid Door Model

GENERAL ADA-COMPLIANT SERIES FEATURES



- 32" height with leveling legs
- **Industry Exclusive** front-vented RAPIDcool forced-air refrigeration system provides best-in-class cooling performance
- Commercial-grade stainless steel interior and black vinyl clad exterior
- All models available with stainless steel or panel ready door. Panel ready doors come ready to accept customer-supplied overlay and handle
- **Industry Exclusive** full extension refrigerator and wine shelves provide easy access for stocking and retrieving product. Shelves glide smoothly in and out of cabinet on stainless steel ball bearing glides
- Zero-clearance hinging allows for abutment with surrounding cabinetry
- Interior lighting
- Low E, double pane UV-resistant glass provides exceptional insulation and protection from light
- Comprehensive Full Three Year Warranty plus additional three years on sealed system

HA24BB FEATURES

- Available with stainless steel solid door, panel ready solid door, stainless steel glass door or panel ready glass door
- Includes two (2) full-extension wine shelves to accommodate eight (8) bottles each and one (1) full-extension refrigerator shelf
- Beverage Center temperature 33° - 48°F

ACCESSORIES

(L)	Factory Installed Lock
67164	6" Toe Kick Kit (includes riser) for HA24 models
66736	Caster Kit for HP24/HC24/HA24 models
RS-24-24D	Divider Shelf for HP24/HC24/HA24 models

Perlick accessories are available for purchase through an authorized Perlick dealer. For a full list of accessories and to find a dealer near you, visit perlick.com/residential

PRODUCT SPECIFICATIONS

Product Width	23-7/8" (606 mm)
Product Height	32" (813 mm)
Product Depth	24" (610 mm)
Opening Width	24" (610 mm)
Opening Height	32-1/4" (819 mm)
Opening Depth**	24-7/8" (632 mm)
Refrigerated Volume	4.8 cu. ft total
Door Swing Clearance	25" (635 mm)
Electrical	115V, 60Hz., 1 Phase, 2.3 amps
Compressor	525 BTU, standard
Plumbing	None Required
Annual Energy Usage	295 kWh
Shipping Weight	181 lbs (82.27 kg)

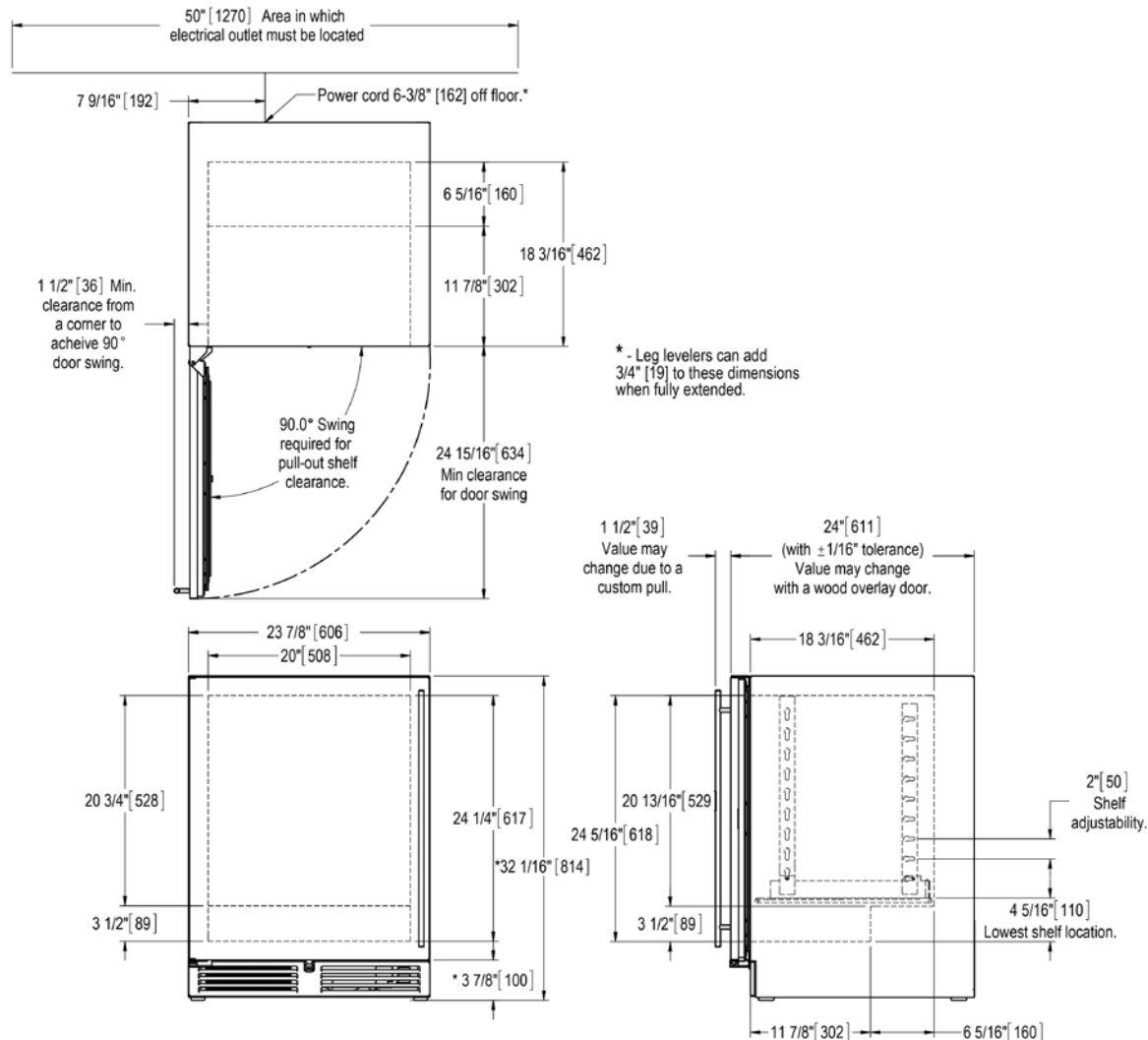
** Includes 7/8" plug clearance. To achieve 24" depth, you must recess the plug into the wall directly behind the unit.

INDOOR MODELS

HA24BB-3-1L*	Stainless steel solid door, hinge left
HA24BB-3-2L*†	Panel ready solid door, hinge left
HA24BB-3-3L*	Stainless steel glass door, hinge left
HA24BB-3-4L*†	Panel ready glass door, hinge left

* Also available hinge right (R)

† This unit comes ready to accept customer-provided overlay panel and handle



California Prop 65 Notice:

WARNING: The materials used in this product may contain chemicals known to the State of California to cause cancer and birth defects or other reproductive harm. For more information go to www.P65Warnings.ca.gov.

FORM NO. Z2524
REV. A-09/07/2018





